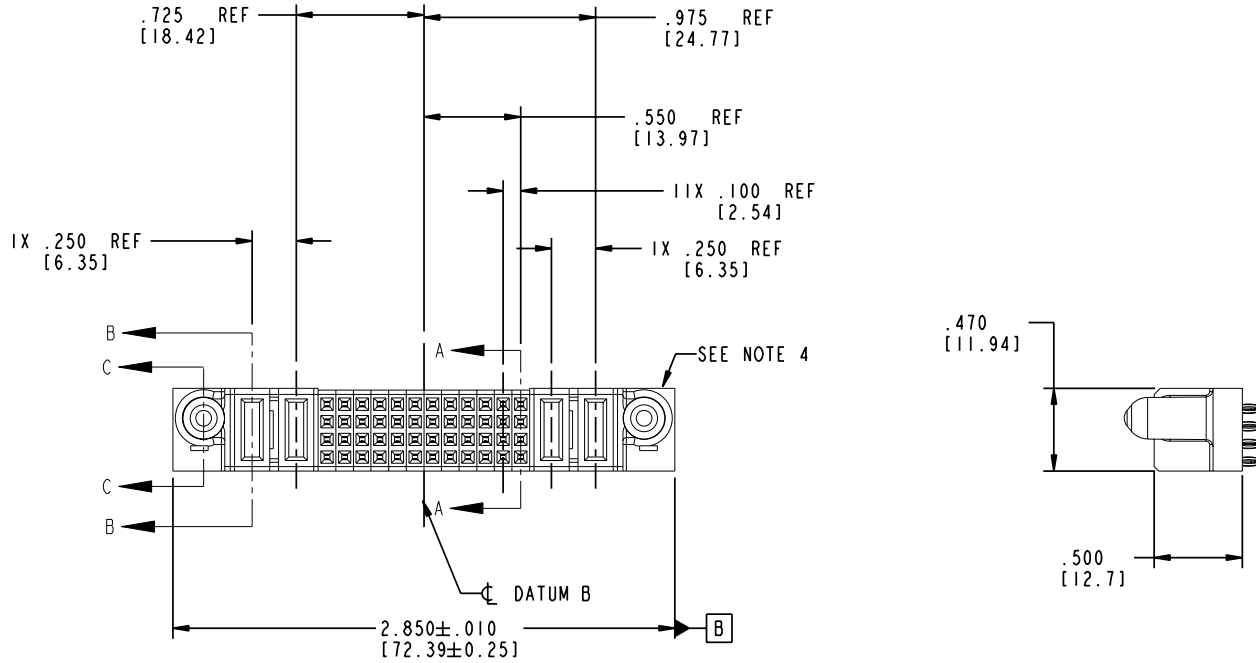


Tous droits strictement réservés. Reproduction ou communication à des tiers interdite sous quelque forme que ce soit sans autorisation écrite du propriétaire. Propriété de c FCI. Droits de reproduction FCI.

All rights strictly reserved. Reproduction or issue to third parties in any form whatever is not permitted without written authority from the proprietor. Property of FCI. Copyright FCI.

PRODUCT NO.	ROWS	POWER				SIGNAL												POWER				
		E2	P4	P3		12	11	10	9	8	7	6	5	4	3	2	1	P2	P1	E1		
51750-031 NOTE: ③	D C B A					F	F	F	F	F	F	F	F	F	F	F	F	F	F			
			PF	PC		F	F	F	F	F	F	F	F	F	F	F	F	F	F	PF	PC	
						F	F	F	F	F	F	F	F	F	F	F	F	F	F	F		



CODE	DIM "M" MATING LENGTH	CONTACT TYPE
F	N/A [N/A]	SIGNAL
PC	.042 [1.07]	POWER
PF	.092 [2.34]	POWER

mat'l code				SEE NOTE 2		tolerances unless otherwise specified		CUSTOMER		 www.fciconnect.com	
ltr	ecn no.	dr	date	linear		.XX±.01/0.X±0.3		COPY		title	
A	V20986	JWS	06-04-02			.XXX±.005/0.XX±0.13		projection		2P + 48S + 2P	
B	DG05-0212	SJ	07/07/05	angles		.XXX±.002/0.XX±0.051				VERT. PRESS-FIT RECEPT.	
				dr	J. SHAFFER	0 ± 2°		INCH/MM		product family	
				enrg	M. MOSTOLLER			scale		PwrBlade	
				chr	M. MOSTOLLER			1:1		code	
				appd	M. MOSTOLLER					213	
sheet index		revision	B	B	B	B				sheet	
		sheet	1	2	3	4				1 of 4	

cage code 22526

Pro/E

PDM: Rev:B

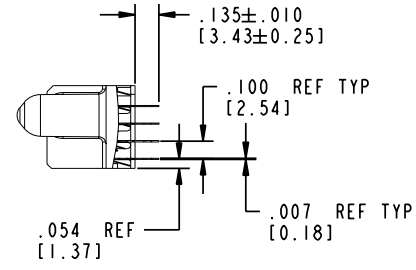
STATUS: Released

Printed: Aug 14, 2007

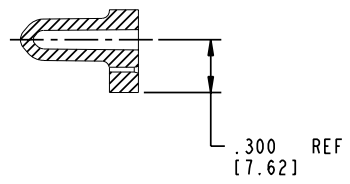
Tous droits strictement réservés. Reproduction ou communication a des tiers interdite sous quelque forme que ce soit sans autorisation écrite du propriétaire. Propriété de c FCI. Droits de reproduction FCI.

All rights strictly reserved. Reproduction or issue to third parties in any form whatever is not permitted without written authority from the proprietor. Property of FCI. Copyright FCI.

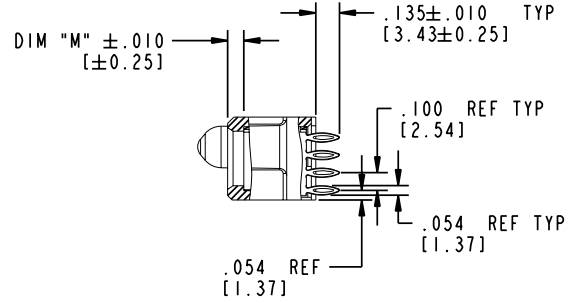
PRODUCT NUMBER
51750-031..
 NOTE: ③



SECTION A-A



SECTION C-C



SECTION B-B

mat'l code		SEE NOTE 2		tolerances unless otherwise specified		CUSTOMER		 www.fciconnect.com	
ltr	ecn no.	dr	date	linear	.XX±.01/0.X±0.3	COPY		projection	title
B				linear	.XXX±.005/0.XX±0.13	INCH/MM			2P + 48S + 2P VERT. PRESS-FIT RECEPT.
				angles	.XXX±.0020/0.XX±0.051	scale		product family	code
				dr	0 ± 2°	1:1		PwrBlade	213
				enr	J. SHAFFER 06-04-02			size	sheet
				chr	M. MOSTOLLER 06-04-02			51750-031	2
				appd	M. MOSTOLLER 06-04-02				
sheet index	revision sheet							cage code	22526

Pro/E

PDM: Rev:B

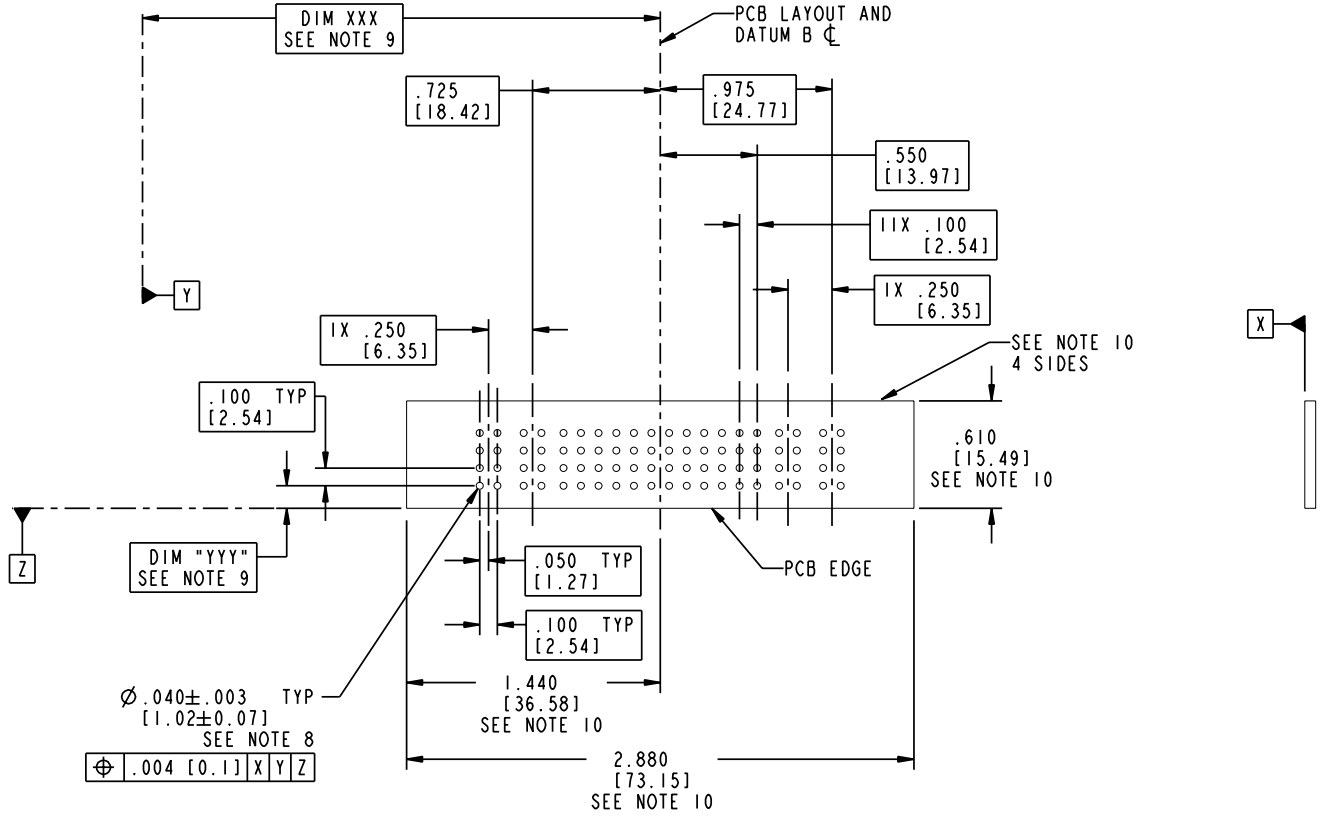
STATUS: Released

Printed: Aug 14, 2007

Tous droits strictement réservés. Reproduction ou communication a des tiers interdite sous quelque forme que ce soit sans autorisation écrite du propriétaire. Propriété de c FCI. Droits de reproduction FCI.

All rights strictly reserved. Reproduction or issue to third parties in any form whatever is not permitted without written authority from the proprietor. Property of FCI. Copyright FCI.

PRODUCT NUMBER
51750-031..
 NOTE: ③



mat'l code		SEE NOTE 2		tolerances unless otherwise specified		CUSTOMER		 www.fciconnect.com	
ltr	ecn no.	dr	date	linear	.XX±.01/0.X±0.3	COPY		projection	title
B					.XXX±.005/0.XX±0.13				2P + 48S + 2P
				angles	.XXX±.0020/0.XX±0.051				VERT. PRESS-FIT RECEPT.
				dr	0°±2°	INCH/MM		product family	code
				enr	J. SHAFFER 06-04-02	scale		PwrBlade	213
				chr	M. MOSTOLLER 06-04-02	1:1		size	dwg no
				appd	M. MOSTOLLER 06-04-02			A	51750-031
sheet index	revision sheet								sheet 3

Pro/E

cage code **22526**

PDM: Rev:B

STATUS:Released

Printed: Aug 14, 2007

Tous droits strictement réservés. Reproduction ou communication à des tiers interdite sous quelque forme que ce soit sans autorisation écrite du propriétaire. Propriété de c FCI. Droits de reproduction FCI.

A
FCI

All rights strictly reserved. Reproduction or issue to third parties in any form whatever is not permitted without written authority from the proprietor. Property of FCI. Copyright FCI.

B

PRODUCT NUMBER

51750-031..
NOTE: ③

NOTES:

1. DIMENSIONS AND TOLERANCES ARE IN ACCORDANCE WITH ASME Y14.5M, 1994 UNLESS OTHERWISE SPECIFIED.

CONNECTORS NOTES:

② HOUSING MATERIAL: UL 94 V-0 GLASS FILLED HIGH-TEMP THERMOPLASTIC
POWER CONTACT MATERIAL: COPPER ALLOY
SIGNAL PIN MATERIAL: COPPER ALLOY

③ PLATING:

51750-031 Singal Pin: 30u"/0.76um Au OVER 50u"/1.27um Ni ON THE CONTACT AREA,
AND 100u"/2.54um SnPb PLATING OVER 50u"/1.27um Ni ON THE TERMINATION SECTION.
Power Pin: 30u"/0.76um Au OVER 50u"/1.27um Ni ON THE CONTACT AREA,
AND 100u"/2.54um SnPb PLATING OVER 50u"/1.27um Ni ON THE TERMINATION SECTION.

51750-031LF Singal Pin: 30u"/0.76um Au OVER 50u"/1.27um Ni ON THE CONTACT AREA,
AND 78u"/2.00um Sn PLATING OVER 50u"/1.27um Ni ON THE TERMINATION SECTION.
Power Pin: 30u"/0.76um Au OVER 50u"/1.27um Ni ON THE CONTACT AREA,
AND 78u"/2.00um Sn PLATING OVER 50u"/1.27um Ni ON THE TERMINATION SECTION.

PART NUMBER 51750-031LF MEETS EUROPEAN UNION DIRECTIVE AND OTHER COUNTRY REGULATIONS AS DESCRIBED IN GS-22-008.

THE HOUSING WILL WITHSTAND EXPOSURE TO 260° PEAK TEMPERATURE FOR 10 SECONDS IN A WAVE SOLDER APPLICATION WITH A CIRCUIT BOARD.

④ MANUFACTURER'S NAME, P/N, AND DATE CODE TO APPEAR ON THIS SURFACE.

⑤ PRODUCT SPECIFICATION GS-12-149.
APPLICATION SPECIFICATION BUS-20-067.

PCB - NOTES:

6. ALL HOLE DIAMETERS ARE FINISHED HOLE SIZE.
7. MOUNTING HOLES, WHERE APPLICABLE, ARE UNPLATED.
8. $\varnothing .0453 \pm 0.0010$ [1.151 \pm 0.025] DRILLED HOLES PLATED WITH 0.0003 [0.008] MIN SnPb OVER .001 [0.03] TO .003 [0.08] Cu PLATING TO ACHIEVE $\varnothing .040 \pm .003$ [1.02 \pm .07] HOLE.
9. "DIM XXX" AND "DIM YYY" TO BE DETERMINED BY THE CUSTOMER.
10. CONNECTOR KEEP-OUT ZONE.)

mat'l code		SEE NOTE 2		tolerances unless otherwise specified		CUSTOMER		A FCI www.fciconnect.com	
ltr	ecn no.	dr	date	linear	.XX±.01/0.X±0.3	COPY		projection	title
B					.XXX±.005/0.XX±0.13				2P + 48S + 2P VERT. PRESS-FIT RECEPT.
				angles	.XXX±.002/0.XX±0.051				
				dr	0±.2	J. SHAFFER 06-04-02		product family	PwrBlade
				enrg		M. MOSTOLLER 06-04-02		size	213
				chr		M. MOSTOLLER 06-04-02		scale	1:1
				appd		M. MOSTOLLER 06-04-02		dwg no	51750-031
sheet index	revision sheet							code	4

cage code **22526**

Pro/E

PDM: Rev:B

STATUS: Released

Printed: Aug 14, 2007